

# SUNCA®

# SUNCAKMAX®

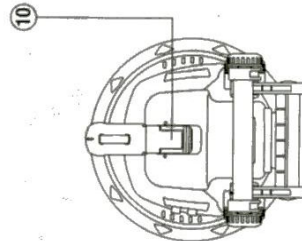
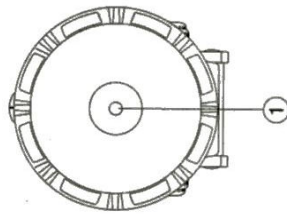
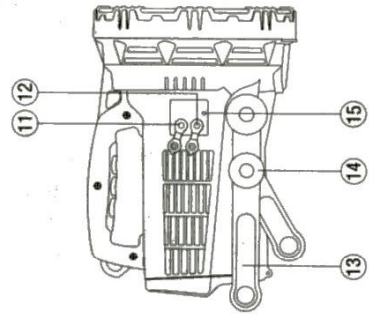
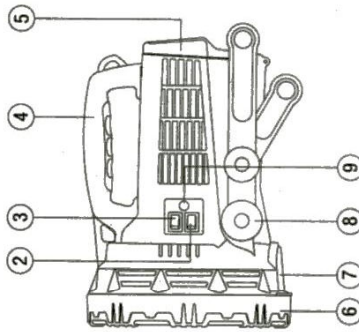
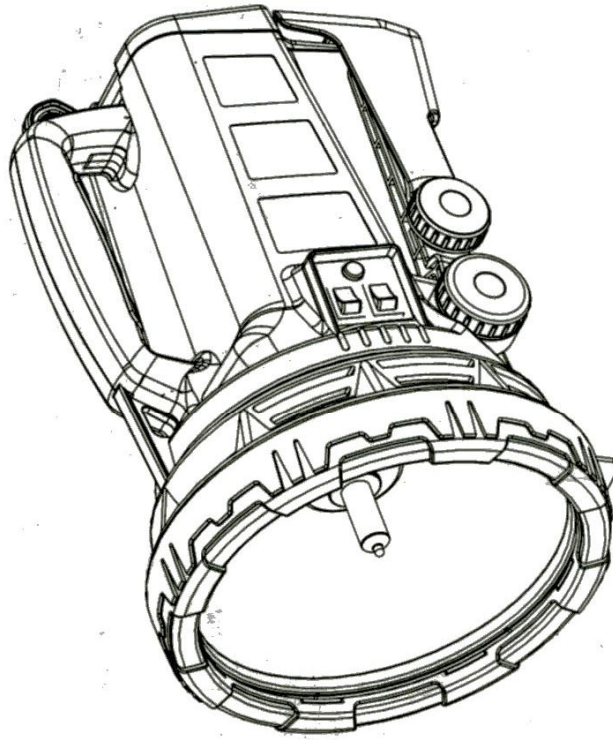
## RECHARGEABLE HALOGEN SPOTLIGHT

INSTRUCTION MANUAL

MODEL: CS-2206

### FEATURES

- 1. LIGHT BULB
- 2. STRONG LIGHT SWITCH
- 3. SOFT LIGHT SWITCH
- 4. CARRYING HANDLE
- 5. BATTERY DOOR
- 6. RUBBER CAP
- 7. SUPER BRIGHT LED
- 8. FRONT ADJUSTABLE JOINT
- 9. SUPER BRIGHT LED BUTTON
- 10. BATTERY DOOR LOCK
- 11. DC JACK (FOR CAR PLUG)
- 12. DC JACK (FOR AC ADAPTOR)
- 13. STAND
- 14. BACK ADJUSTABLE JOINT
- 15. CHARGING INDICATOR



### Important note:

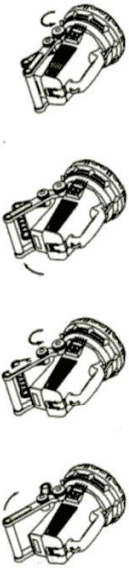
- 1) Please read the instruction manual carefully before use.
- 2) If the power cord is damaged. It must be replaced by the manufacturer or its service agent or a similarly qualified person in order to avoid a hazard.
- 3) Close supervision is necessary when this appliance is used by, on or near children, or physically challenged persons.
- 4) Do not repair, disassemble or modify the unit by yourself.
- 5) This appliance is intended for household use only.

### How to operate the unit:

- 1) Press Strong light switch (2) to ON position for Strong light function. Turn off the strong light function by press the Strong light switch (2) to OFF position
- 2) Press Soft light switch (3) to ON position for Soft light function. Turn off the Soft light function by press the Soft light switch (3) to OFF position
- 3) Press super bright LED button (9) one time to turn on the LED. Press again to turn off the LED.

### How to adjust the angle of the lamp (Pls see figure 1):

- 1) Release the front and back adjustable joint (8 & 14).
- 2) Pull out and expand the stand(13)
- 3) Adjust desired angle of the unit and tighten the front and back adjustable joint (8 & 14).



(Figure 1)

### How to recharge the unit (Pls see Figure 2):

- 1) Switch off the unit.
- 2) Use the AC adaptor to connect the unit and AC power source together for charging(please make sure that the electricly rating before plugging in) or use the car plug to connect the unit and cigarette lighter socket together for charging.
- 3) Charging indicator (15) light up shows that the unit is under charging.

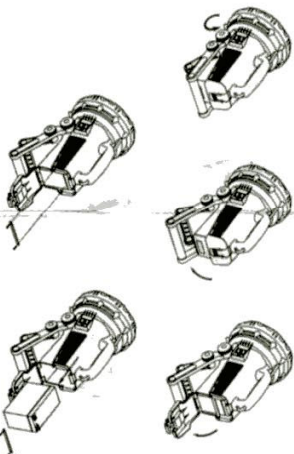


(Figure 2)

### How to replace the rechargeable battery

(Pls see figure 3):

- 1) Switch off the unit.
- 2) Open the battery door (5).
- 3) Unscrew the bracket and slide out the old battery.
- 4) Replace a new battery with the opposite procedure.



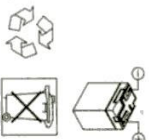
(Figure 3)

### Note:

- Normal charging time for maximum capacity is approximately 14-16 hours.
- The battery will become slightly warm during charging.
- Keep recharging the lead-acid battery every three months if you are not in use, otherwise the efficiency of battery may decrease.

### Warning for the rechargeable lead acid battery.

1. This unit is only applicable for charging the sealed Lead-Acid battery. Do not charge with different types or non-rechargeable batteries.
2. During using or recharging the lead-acid battery, the appliance must be placed in a well ventilated area.
3. The orientation of the lead-acid battery with regard to polarity battery contact (+) & (-). Do not short circuit, put into fire or avoid reverse charging.
4. Regarding safe disposal of used lead-acid batteries, insert the batteries into battery charger according to the lead acid battery polarity.
5. The leak of acid of the battery must be removed from the appliance carefully. The battery must be recycled or disposed of properly.
6. The battery must be removed from the appliance before it is scrapped.
7. The battery must safely disposed by putting into battery compartment with cover.
8. The appliance must be disconnected from power supply before removing the battery.



### How to replace the light bulb (Pls. see Figure 4):

- 1) To replace the old light tube, turn off the unit, loosen rubber cap (6) and unscrew the screw on the blub cabinet ring. Take out the glass and lens.
- 2) Take out the old bulb and replace a new bulb with the same type.
- 3) Mount the new bulb with the opposite procedure.



(Figure 4)

### Technical Specifications (CS-2206):

Light bulb	H4-12V 100W
Rechargeable lead acid battery	12V7Ah (RB1270A)
Brightness	20,000,000 cd/m <sup>2</sup>
Specification of AC adaptor:	
Input voltage	AC220V~ 50Hz
Output voltage	DC 13.5V 700mA
Max power	.....15W
Duration:	
Strong light	..... 45 mins.
Soft light	..... 55 mins.
Super bright LED	..... 75 hours

**CAUTION: DO NOT USE THE CAR PLUG AS POWER SOURCE FOR OVER 30 MINUTES**

### Maintenance:

- 1) Never use strong or volatile chemicals to clean this unit as it may damage the plastic parts.
- 2) When using this lamp, make sure to place this unit in a safety and stable position.